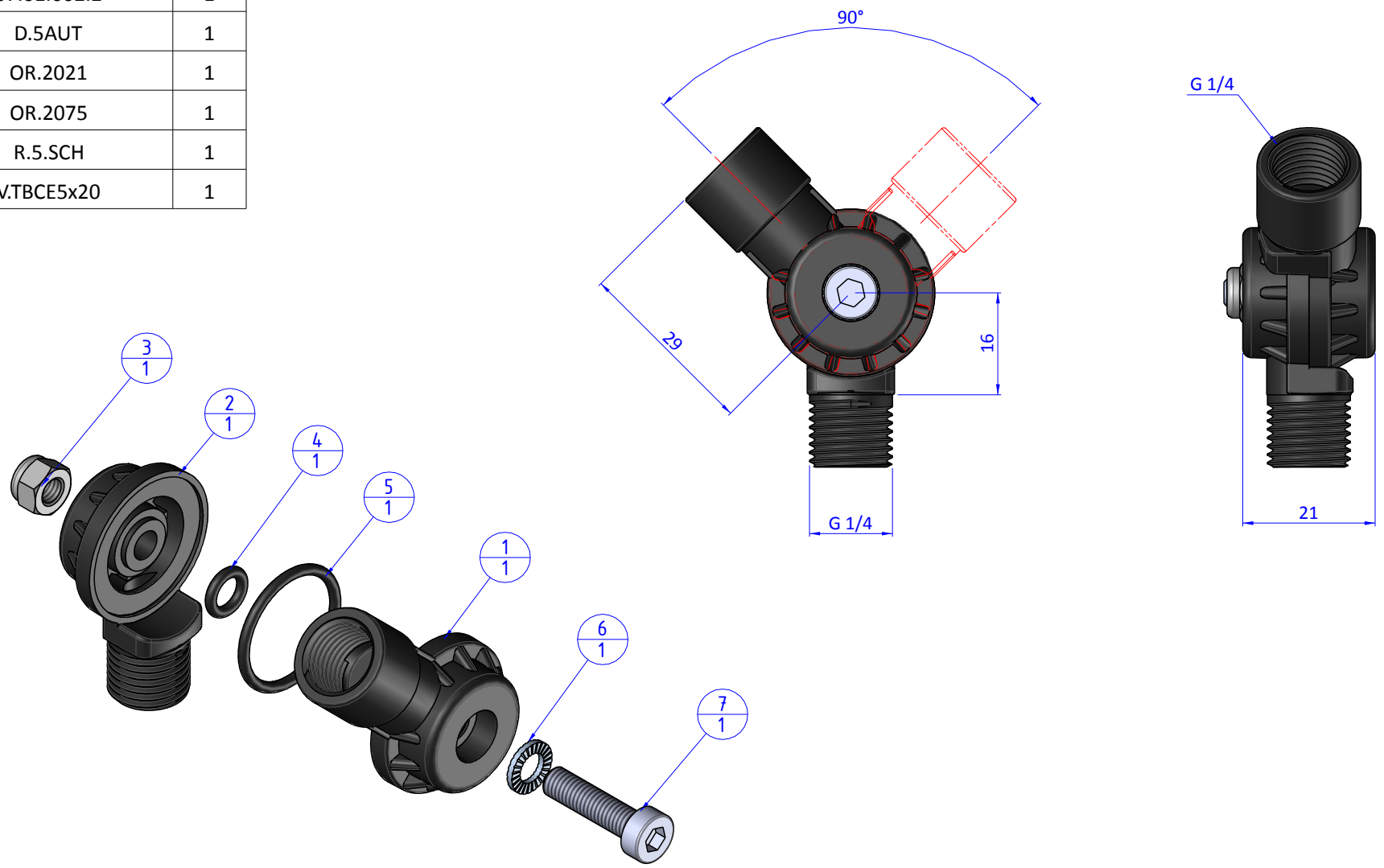



THE PROPERTY OF THE DRAWING IS ESTABLISHED BY LAW. IT IS FORBIDDEN TO PRODUCE OR SHOW IT TO THIRD PARTY, WITHOUT A WRITTEN AGREEMENT.

Item	Name	Q.ty
1	07.01.002.1	1
2	07.01.002.2	1
3	D.5AUT	1
4	OR.2021	1
5	OR.2075	1
6	R.5.SCH	1
7	V.TBCE5x20	1



Format A3
UNI 936-76

 FPS FPSERVICES AUTOMATION		DESIGNED FROM		REVIEW
		FPS Automation		A
GENERAL TOLERANCE		DATE	WEIGHT	
UNI - ISO 2768		16/07/2019	0,005kg	
CLASSE f		CODE		
		CA.07.01.002		CA.07.01.002